

3D VIEW

8000 SERIES

FEATURE

Insulator Material : LCP UL94V-0
 Contact Material : Phosphor Bronze
 Plating : Selective Gold Plating Over Contact Area
 100μ" min. Matte Tin Plating On Solder Area
 50μ" min. Nickel Underplating Overall

SPECIFICATION

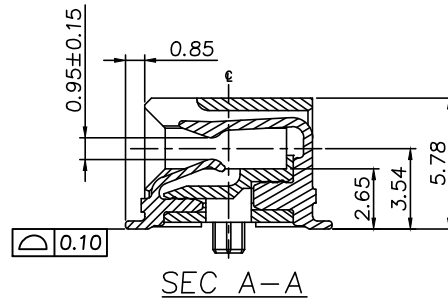
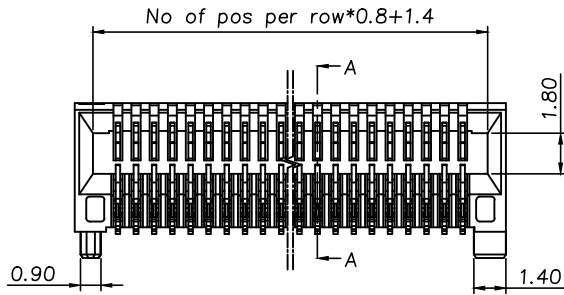
Current Rating : 2 Ampere Per Pin
 Voltage Rating : 250 VAC
 Operation Temperature Range : -55°C to +125°C

ORDERING INFORMATION

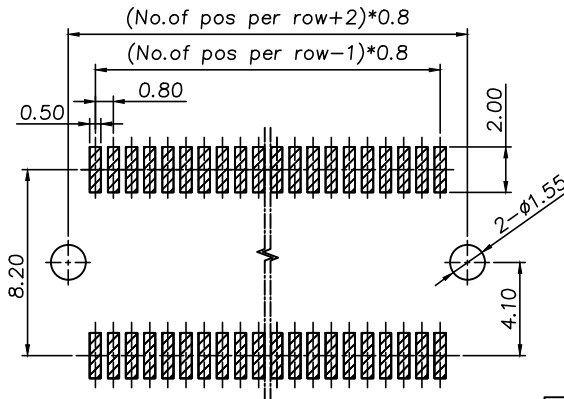
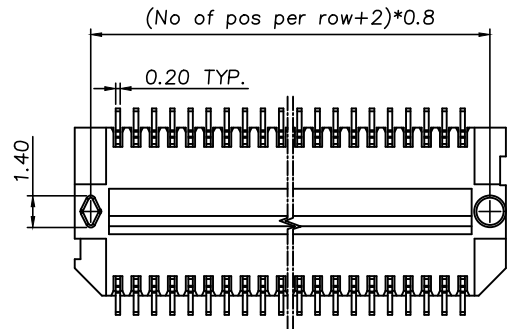
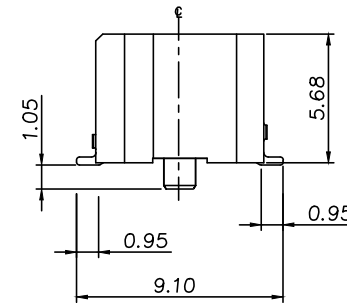
8000 - □□□ - □ - R0 - □

No. of Contacts □□□ □ □ Other Custom Options

Plating Code □ □ □ □ □ Packing : R0 : Tape Reel



SEC A-A



RECOMMENDED P.C.B LAYOUT
 TOP VIEW (TOLERANCE: ±0.05)

Plating Code	
1	10μ"
2	G/F
3	3μ"
4	5μ"
5	G/F Overall
6	30μ"
7	Tin Overall
8	15μ"
9	20μ"

Title : Customer Drawing Type : Edgecard Connector

Part No. : 8000 Series

Description :
 Pitch 0.80 mm Edge Card Connector
 SMT Type

DWG No. : 010 - 0000 - 580 Date : 01 - Jun. - 2017

APPD. : James C. CHK. : Connie Z. DRW. : Bryant C.



Tolerances Unless Otherwise Specified :
 X. ± 0.50 .X ± 0.38 .XX ± 0.25
 X.° ± .X° ± .XX° ±

Dim.	Scale	Sheet	Rev.
mm	N/A	1 of 1	A